

Quickly Locate Sludge Blanket Level

- Infrared sensor probe
- Audio & visual LED indicators
- Sensitivity adjustment
- Low battery indicator
- IP 67 - Field rugged and weather resistant



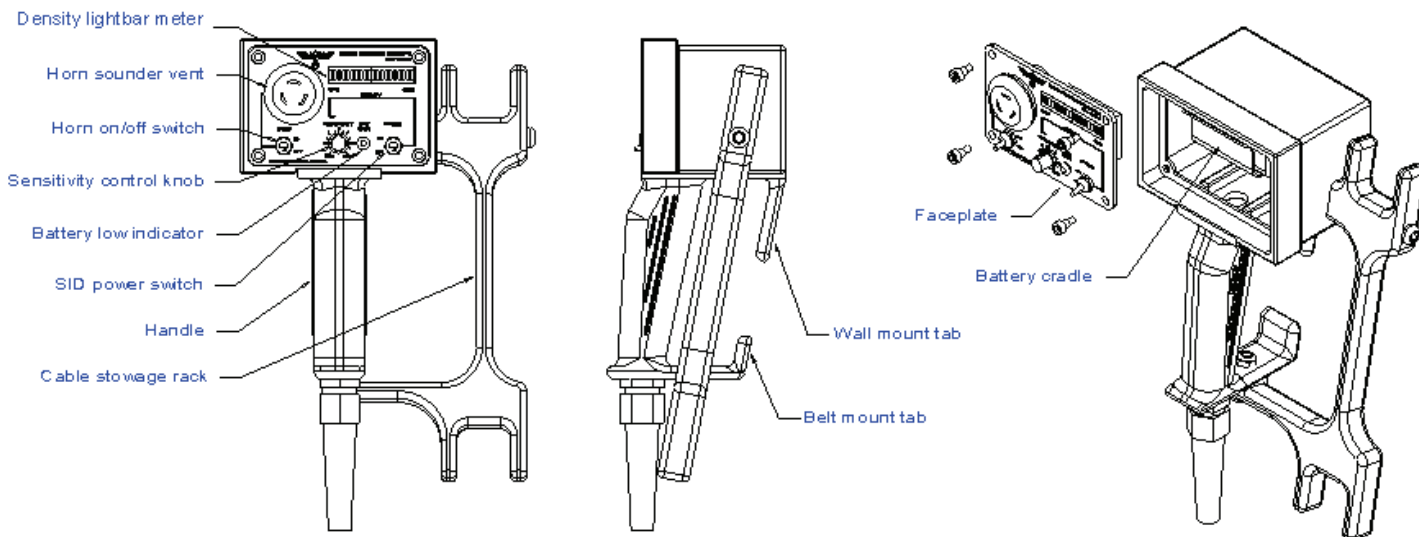
SID-10200 is a portable handheld instrument that accurately determines the sludge blanket solid/liquid interface depth in primary tanks, clarifiers, sedimentation basins, lagoons and a wide variety of tanks with settled sludge and solids.

The unit is equipped with a strain relieved signal cable with 1 ft. incremented depth marks and a sensor probe. As the probe is lowered into the tank and the solid/liquid interface ragged edge is engaged, the meter lightbar LED segments begin to illuminate and the horn tone sounds and changes as the solids density increases.

It utilizes the latest Infrared light dispersion technology sensor probe and the most brilliant meter panel LED lightbars for visibility in direct sunlight. The horn audible feature allows sight free operation and can be switched off for silent operation.

Portable, lightweight and rugged, it's ideal for use in publicly owned water and wastewater plants and industrial treatment operations that want simple, quick and reliable sludge interface level depth measurements. The unit is powered by six AA batteries, weighs 16 ounces and measures 8"L x 4.5"W x 3.5"D.

Wall storage mount, cable holders and batteries included. 1 year warranty on meter, 6 months on sensor probe and cable.



"The Raven Sludge Interface Detector still works like a Swiss Watch after 2 years of heavy use."

*Paul Watson – Environmental Manager.
CSX Transportation*

DESCRIPTION

- 20-ft. Sludge Interface Detector
- 30-ft. Sludge Interface Detector
- 20-ft Replacement Probe & Cable
- 30-ft Replacement Probe & Cable

ITEM

- SID-10200-20
- SID-10200-30
- SID-10203-20
- SID-10203-30

EACH

- \$809
- \$839
- \$309
- \$339