

Sludge Interface Detector SID-10200

Raven Environmental Products



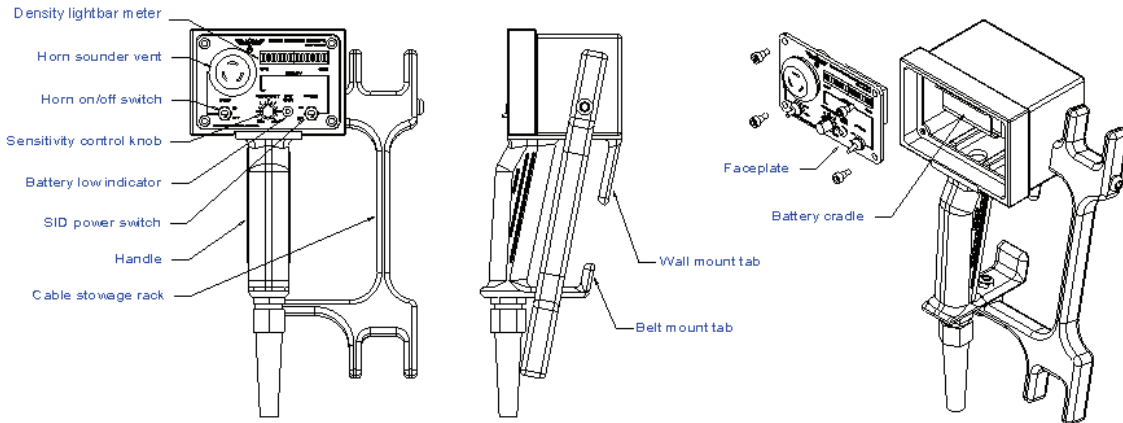
Handheld unit		
construction	glass-filled polyamide	
width	4.25"	(108mm)
length	8.0"	(203mm)
height	3.25"	(82.5m)
weight	27.9 oz	(790g)
color	yellow	
faceplate	1/8" aluminum plate	
environment		
moisture	IP67 (NEMA-4x) weatherproof	
temperature	-5°f to +158°f	(-20°c to 70°c)
power supply		
battery standard	6 x AA cells (standard alkaline)	
battery life (typ)	3 months	
operator controls		
power	on/off	
horn	on/off	
horn	volume control	
sensitivity	variable	
indicators		
density meter	sunlight visible LED lightbar	
horn	70db max	
battery low	illuminates flasher	
calibration	factory sealed (no recal required)	
Probe		
model	SID-10203 (U20)	SID-10303 (V40)
construction		
material	epoxy encapsulation	epoxy encapsulation
technology	IRED emitter/detector	IRED emitter/detector
sensor gap	0.780"	(20mm)
lense	polycarbonate	polycarbonate
range min	100-2,000 mg/l (varies)	100-1,500 mg/l (varies)
range max	100-10,000 mg/l (varies)	100-7,000 mg/l (varies)
height	4.25"	(107mm)
width	3.25"	(82.55mm)
depth	1.187"	(30.15mm)
circular envelope	3.375"	(85.73mm)
weight	18.5 oz	(525g)
color	black	black
environmental		
moisture	IP68	IP68
temperature	-5°f to +140°f	(-10°c to +60°c)
		-5°f to +140°f
Cable assembly		
environmental		

SLUDGE INTERFACE DETECTOR SID-10200

moisture	IP68		IP68	
temperature	15°f to +140°f (-20°c to +60°c)		15°f to +140°f	
length	20 to 50 ft. (6.1M to 15.2M)		10 to 50 ft.	
markings	1-ft increment depth markers		1-ft increment depth markers	
Replacement parts				
cable assy with probe	20-ft	P/N: SID-10203-20	20-ft	P/N: SID-10303-20
	30-ft	P/N: SID-10203-30	30-ft	P/N: SID-10303-30
	50-ft	P/N: SID-10203-50	50-ft	P/N: SID-10303-50
Optional parts				
carrying case	P/N: S-15020		P/N: S-15020	

Description - Handheld Unit

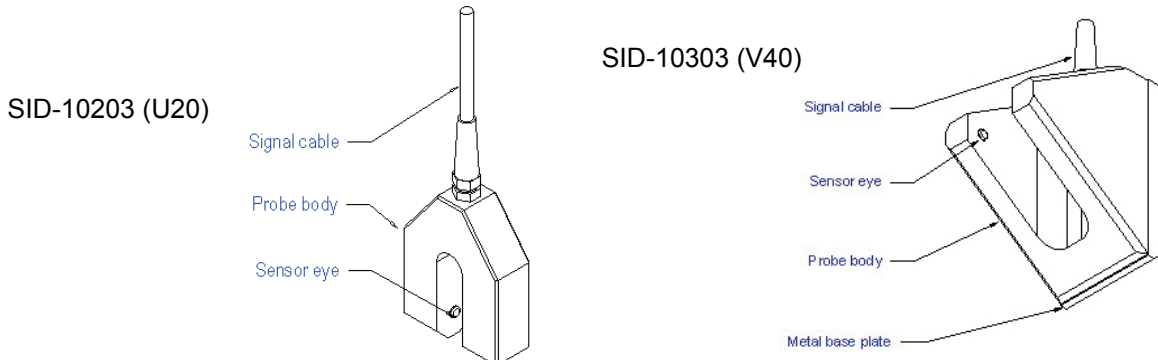
The Raven SID-10200 Sludge Interface Detector (SID) is a rugged portable field instrument specifically designed to detect sludge density and measure sludge blanket elevation in sedimentation tanks and clarifiers. Precision electronics provide operator sensitivity adjustments and the latest IRED technology enable accurate and repeatable measurements. Operator features like single-handed operation, belt clip and onboard cable storage make it easy to use. Aluminum faceplate, polyimide case and weatherproof components create a durable instrument for industrial environments.



Description - Probe

The Raven IRED sensor probe electronics are encapsulated in durable watertight epoxy resin and instrumented with a polyethylene signal cable built to withstand wet environments and rough handling. Replacement Probe assembly are suitable for field replacement and available in multiple cable lengths up to 50-feet (probe, cable, strain relief and connector included). SID-10203 (U20) probe detects bottom and floating sludge blankets in primary, clarifiers and basins.

SID-10303 (40V) probe penetrates heavy DAF floating sludge without clogging. 1/2" aluminum base plate provides impact protection and allows accessory push-rod attachment and weight adjustment.



Raven Environmental Products, Inc.
333 Leffingwell Ave., Suite 117
St. Louis, MO 63122 USA

800-545-6953
Fax 314-822-9968
RavenEP.com