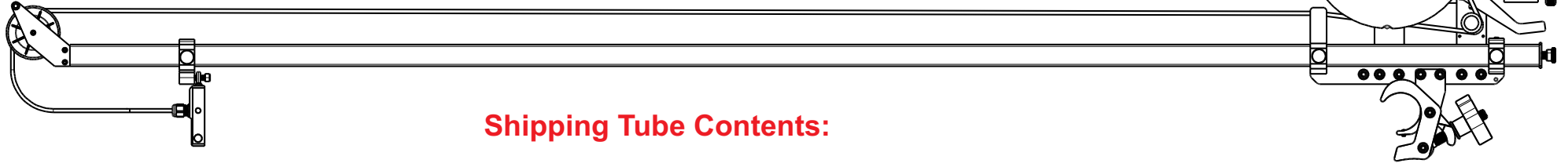


# FILTER MEDIA MANGER S-60100

manufactured by Raven Environmental Products



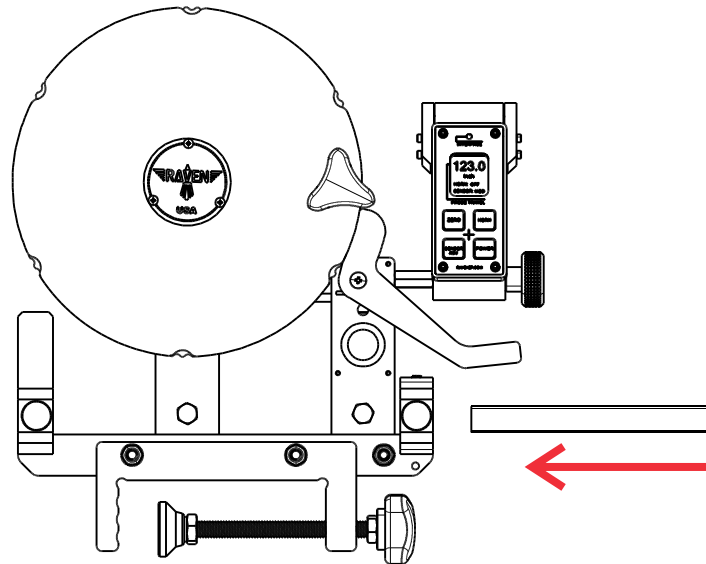
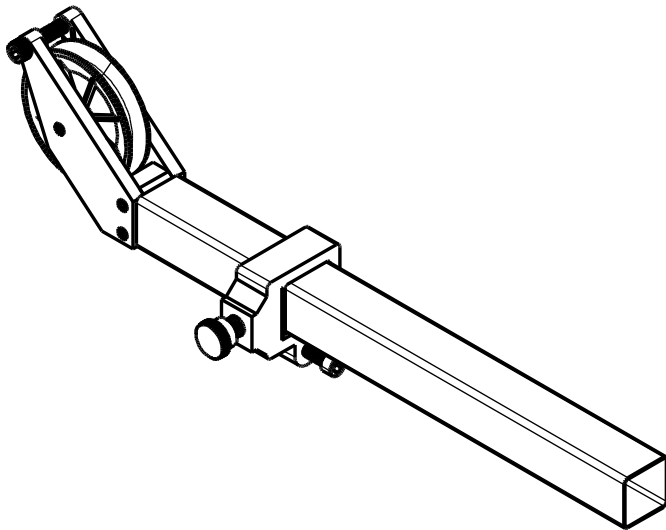
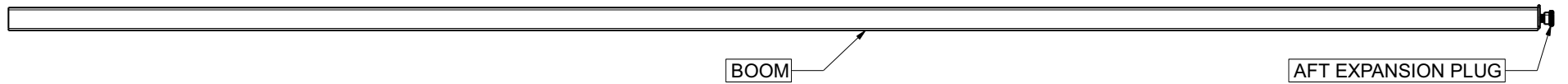
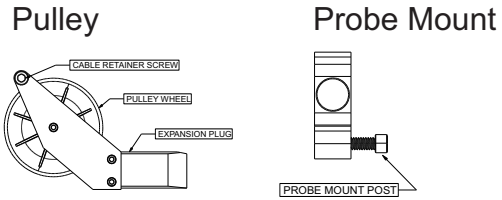
**Shipping Tube Contents:**

**Carbon Fiber Boom**

**Probe Mount (to be installed after inserting boom in Filter Media Manager)**

**Pulley (to be installed after installing Probe Mount)**

**Aft Expansion Plug (pre-installed)**



The carbon fiber Boom comes inside a shipping tube with the Pulley, Probe Mount and Aft Expansion Plug.

Before installing the Pulley and Probe Mount, insert the Boom from the right side into the Aft Boom Guide and continue through the Forward Boom Guide far enough to allow for installation of Probe Mount and Pulley.

Probe Mount Installation: Slide Probe Mount onto Boom as shown above. Position about 6" from the end of the Boom and secure with thumb screw.

Pulley installation: Insert Pulley into Boom end as shown above. With a phillips screwdriver, tighten the expansion screw until the Pulley is securely mounted inside the Boom.