

Sludge Interface Detector SID-10200

Raven Environmental Products, Inc.

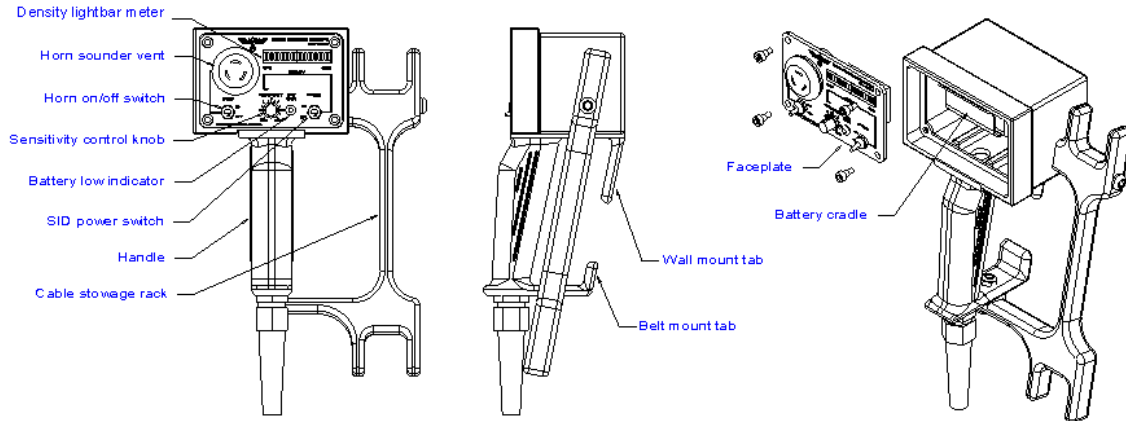


HANDHELD UNIT	
construction	glass-filled polyamide
width	4.25" (108mm)
length	8.0" (203mm)
height	3.25" (82.5mm)
weight	27.9 oz (790g)
color	yellow
faceplate	1/8" aluminum plate
environment	
moisture	IP67 (NEMA-4x) weatherproof
temperature	-5°f to +158°f (-20°c to 70°c)
power supply	
battery standard	6 x AA cells (standard alkaline)
battery life (typical)	3 months
operator controls	
power	on/off
horn	on/off
horn	volume control
sensitivity	variable low to high
indicators	
density meter	sunlight visible LED lightbar
horn	70db max
battery low	illuminates flasher
calibration	factory sealed (no recal required)
PROBE	
model	P10100
construction	
material	stainless steel
technology	IREM emitter/detector
sensor gap	0.780" (20mm)
lenses	polycarbonate
range min	100-2,000 mg/l (varies)
range max	100-10,000 mg/l (varies)
height	3.5" (89mm)
width	2.5" (63.5mm)
depth	.75" (19mm)
circular envelope	2.75" (70mm)
weight	1lb 1oz (480g)
color	silver
CABLE ASSEMBLY	
environmental	
moisture	IP68
temperature	15°f to +140°f (-20°c to +60°c)
length	20 to 50 ft. (6.1M to 15.2M)
markings	1-ft increment depth markers
REPLACEMENT PARTS	
cable assembly with probe	20-ft P/N SID-10203-20 30-ft P/N SID-10203-30 40-ft P/N SID-10203-40 50-ft P/N SID-10203-50

SLUDGE INTERFACE DETECTOR SID-10200

Description - Handheld Unit

The Raven SID-10200 Sludge Interface Detector (SID) is a rugged portable field instrument specifically designed to detect sludge density and measure sludge blanket elevation in sedimentation tanks and clarifiers. Precision electronics provide operator sensitivity adjustments and the latest IRED technology enable accurate and repeatable measurements. Operator features like single-handed operation, belt clip and on-board cable stowage make it easy to use. Aluminum faceplate, polyimide case and weatherproof components create a durable instrument for industrial environments.



Description - Probe

The Raven IRED sensor probe electronics are encapsulated in durable watertight epoxy resin and instrumented with a polyethylene signal cable built to withstand wet environments and rough handling. Replacement Probe assembly are suitable for field replacement and available in multiple cable lengths up to 50-feet (probe, cable, strain relief and connector included).

SID-10203 probe detects bottom and floating sludge blankets in primary, clarifiers and basins.

